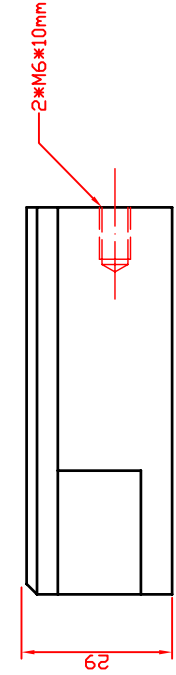
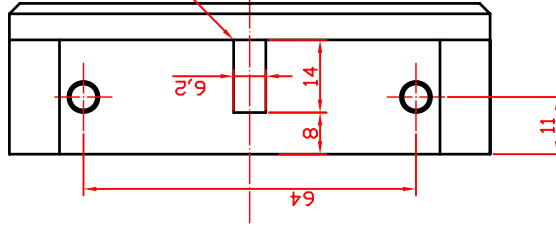
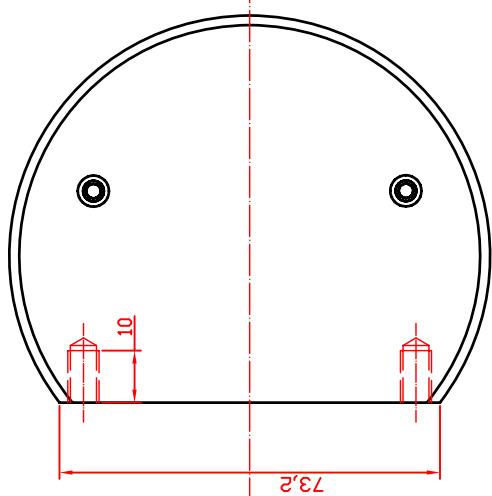
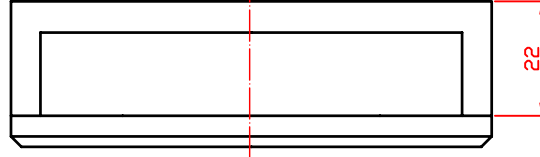
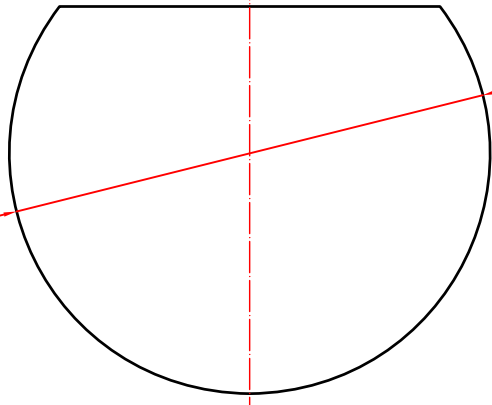


$\phi 92,5$



2*M6*10mm

Lopolight Aps
Ved Kløvedbo 12B, DK-2970 Hoersholm
Tel: +45 32 48 50 30
Fax: +45 32 48 50 32
E-mail: info@lopolight.com
www.lopolight.com

Assembly drawing
135° - Vert. mounting - 28mm
Lens/sectors: 1/stern

Drawing no.:	300-006	Rev.:	2	Sign.:	ph
Author:	---	Rev.:	19-10-04	Sign.:	phh
Scale:	---	Form.:	A3	Sign.:	phh
Material:	Aluminium 6082, min. 25 my anodizing	Tol.:	DS 2768 Fine		
Article no.:	300-006				

Rev.:	
Rev.:	
Rev.:	2
File name:	300-006.2.dwg

This drawing is our property and may not be reproduced or copied without our permission.