

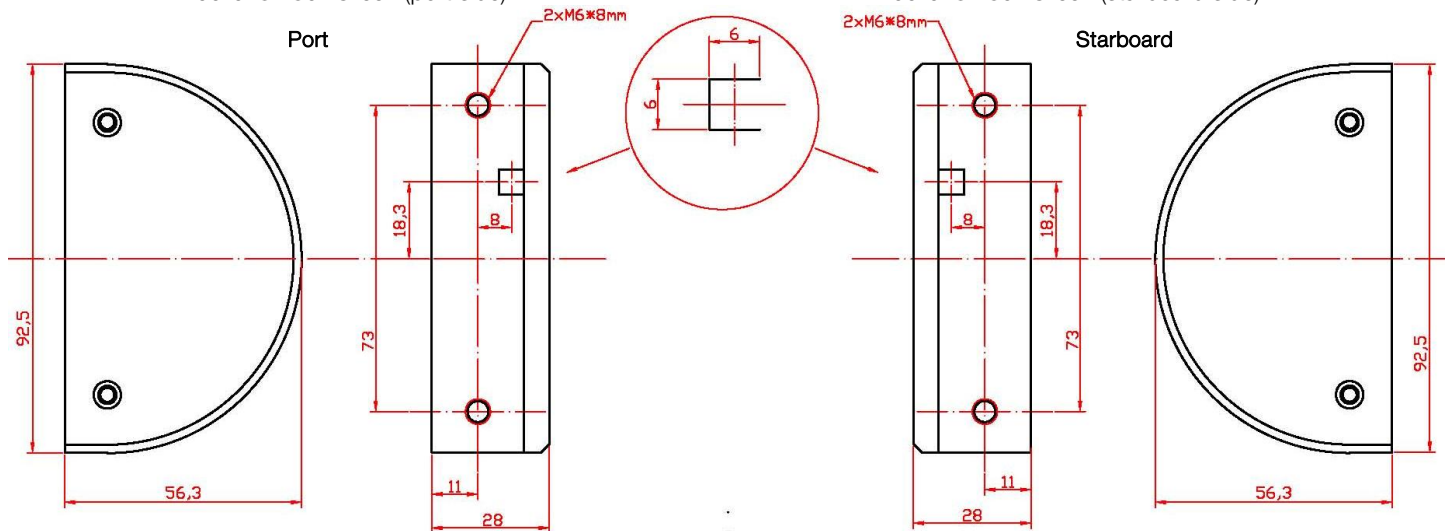
Dear Customer,

Thank you for purchasing Lopolights unique navigation lights.  
The Lopolight products are covered by a 5-year limited warranty.  
Read more about Lopolight at [www.lopolight.com](http://www.lopolight.com).

**Mounting** (These lights can only be mounted on a vertical surface):

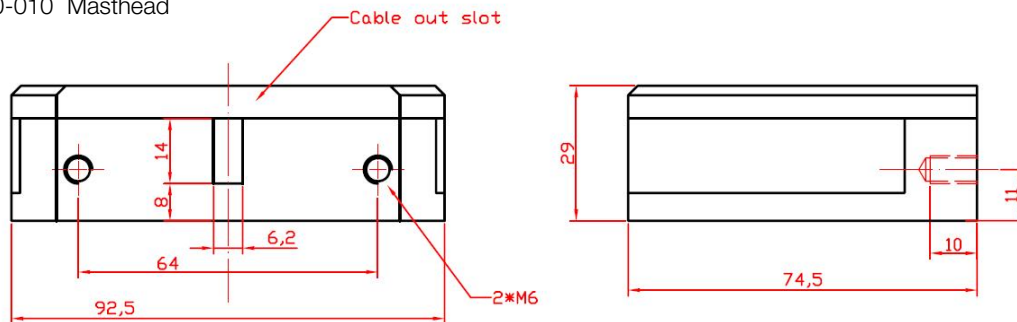
- 300-002 Port single
- 200-016 180° Red (port side)
- 200-018 180° Green (port side)

- 300-001 Starboard single
- 200-016 180° Red (starboard side)
- 200-018 180° Green (starboard side)



- 200-004 Combined bow, halfcircle
- 300-006 Stern, halfcircle
- 200-010 Masthead

These lights can only be mounted on a vertical surface.



Connect the power cable terminals - The ring terminals should be soldered onto the wires to ensure the best possible connection – DO NOT SOLDER ONTO A TERMINAL THAT IS BOLTED ONTO THE LOPOLIGHT. The heat may destroy the internal electronics. Other connection methods can be used – but soldering is the most reliable.

Make sure polarity is correct - Your Lopolight LED nav-light will only function if the polarity is correct. Please ensure that the “+” wire is connected to the terminal marked “+” (or 10-32 Volt). All Lopolight products accept any voltage between 10 and 32 Volt.

**IMPORTANT:** In order to avoid galvanic corrosion the terminals **MUST** be thoroughly waterproofed - Use a small amount of 'Sikaflex' or 3M '5200' (not included with the light) to cover all exposed parts of terminals, wires and terminal bolts - let it cure before mounting the cover. Do NOT use silicone grease or similar, as it will wash away over time and cause the light to malfunction.

The navigations light should not be grounded.

Troubleshooting

If the light does not function:

- Check that you have a voltage between 10 and 32 volts.
- Check that the polarity is right.

Distributors:

**Australia:** Southern Seas Marine, sales@southernseasmarine.com, + 61 7 55029666. **Benelux:** Sailtron b.v., sailtron@sailtron.com, +31 (0)30-2840850. **Canada:** Stright-MacKay Ltd., info@stright-mackay.com, +1 (902) 928-1900. **Denmark:** Polaris Electronics A/S, info@polaris-as.dk, +45 9631 7900. **Finland:** OY Vestek AB, vestek@vestek.fi, +358 9 887 0120. **France:** Grément Import, info@wanadoo.fr, +33 (0) 228 030101. **Germany:** Peter Frisch GmbH, info@frisch.de, +49 89 36 50 75. **Italy:** Tomasoni Topsail S.p.A., group@tomasoni.com, +39 0185 2001. **New Zealand:** Enertec Marine Systems, info@enertecservices.co.nz, +64 9 414 4730. **Norway:** Polaris Electronics Norge AS, mail@polaris-as.no, +47 23 06 93 40. **Portugal:** NautiRadar, comercial@nautiradar.pt, +351 21300 5050. **Slovenia/Croatia:** DNA - Miha Špendal, x-yahts-jadran@siol.com, +386 41 730 970. **South Africa:** Manex & Power Marine, +21 511 7292, manex@manex.co.za. **Spain:** Yatess Servicios Nauticos S.L., +34 971 730175, yatess@yatess.com. **Sweden:** Cordland Marine AB, cordland@cordland.se, +46 (0)340-658970. **U.A.E.:** Exalto Emirates Ltd, info@exalto-emirates.com, +971-(0)6-5240597. **UK:** IMP, sales@improducts.co.uk, +44 (0)1763 241300. **USA:** Euro Marine Trading Inc., sales@euromarinetrading.com, +1 (401) 849 0060. **Other markets:** Lopolight ApS, info@lopolight.com, +45 3248 5030, Ved Klaedebo 12B, DK-2970 Hoersholm, Denmark.