

LAVAC TOILETS

“THE WORLDS MOST RELIABLE SEA TOILET”

“Vacuum flushing, no moving parts and exceptional reliability makes this the marine toilet that others try to match”

The LAVAC has earned the reputation of being the World's most reliable sea toilet. Since its introduction, its patented vacuum flushing method has not been equalled by any other system. After use, simply close the seat and lid to complete the closed circuit seal. As waste is pumped out, the vacuum formed draws in replacement flushing water.

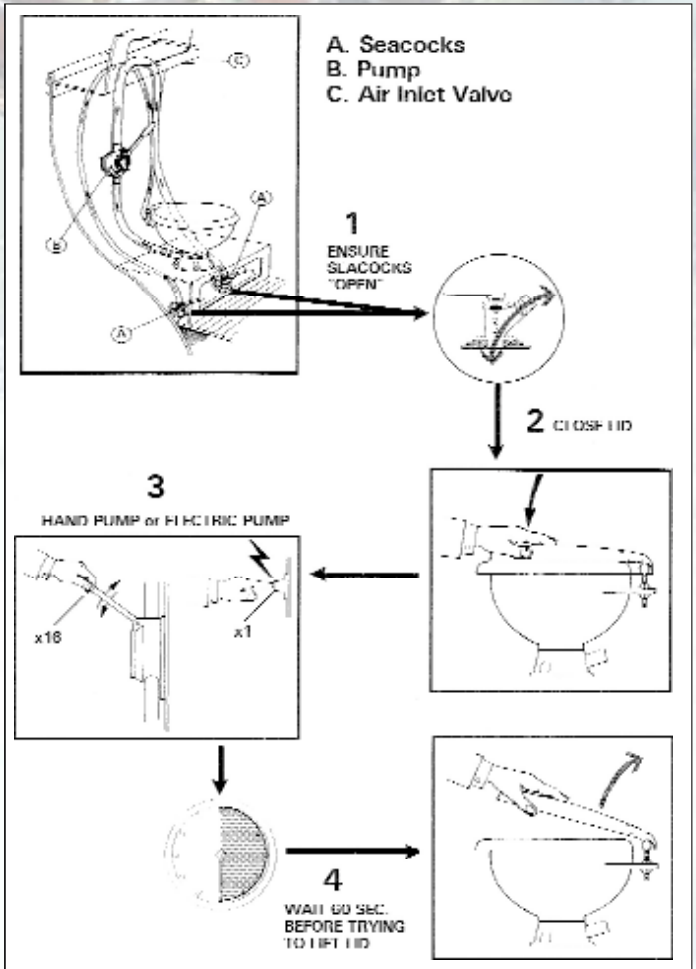
This simple, well-proven marine toilet will give continuous trouble free service and can be installed above or below the waterline.

It is particularly suitable for holding tank applications due to its minimal use of flushing water.



NO MOVING PARTS

LAVAC TOILETS - HOW THEY WORK



Supplied with Lavac sanitary
HAND PUMP or ELECTRIC PUMP

LAVAC POPULAR TOILET

New improved low profile Lavac Popular toilet.

The Lavac POPULAR is easily installed above or below the waterline. The patented vacuum flushing system is ideal for holding tanks where minimal flushing water is used.

It is easy to clean and no moving parts minimises maintenance.

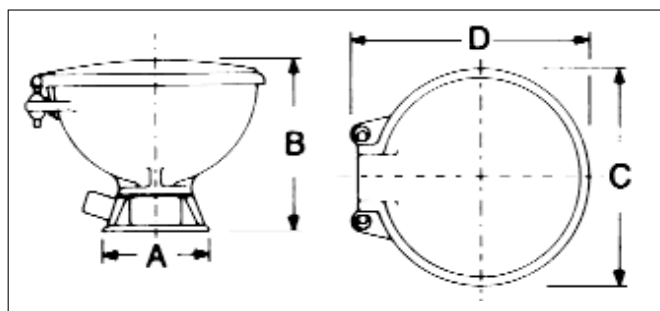
The Lavac POPULAR is supplied with a hard wearing Lavac sanitary pump - with a choice of either manual or electric pump.



**NEW UPGRADED
2004 DESIGN &
CONSTRUCTION**

POPULAR MODEL

P/N	Description
TLZ0801	Popular T/A Hand Pump
TLZ0802	Popular U/D Hand Pump
TLZ0809	Popular No Pump
TLZ0803	Popular 12V Electric Pump
TLZ0804	Popular 24V Electric Pump



SIZES:

- A: 185 mm
- B: 352 mm
- C: 340 mm
- D: 412 mm

WEIGHT: 7.2 kg

INCLUDING DURABLE LAVAC ELECTRIC OR HAND PUMP



HAND PUMP shown. See page 76 for details

LAVAC POPULAR TOILET SPARE PARTS

POPULAR SPARES

65.11	Set of seals
65.13	Lid and seal assembly
65.18	Manual universal spares kit
65.20	Electric universal spares kit



The original Lavac ZENITH toilet features a low profile and wider bowl, making it suitable for installation where area may be more restricted.

It is easily installed above or below the waterline and vacuum flushing is ideal for holding tanks where minimal flushing water is used.

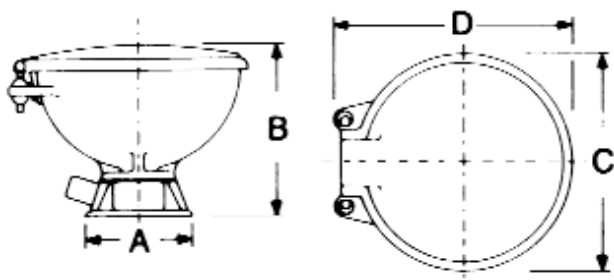
It is easy to clean and no moving parts minimises maintenance.

The Lavac ZENITH is supplied with a hard wearing Lavac sanitary pump - with a choice of either manual or electric pump.



ZENITH MODEL

P/No	Description
TLZ0901	Zenith T/A Hand Pump
TLZ0902	Zenith U/D Hand Pump
TLZ0909	Zenith No Pump
TLZ0903	Zenith 12V Electric Pump
TLZ0904	Zenith 24V Electric Pump



SIZES:

A:	185 mm
B:	297 mm
C:	372 mm
D:	410 mm

WEIGHT: 7.2 kg

INCLUDING DURABLE LAVAC ELECTRIC OR HAND PUMP



ELECTRIC PUMP shown. See page 76 for details

LAVAC ZENITH TOILET SPARE PARTS

Zenith spares

65.12	Set of seals
65.14	Lid and seal assembly
65.19	Manual universal spares kit
65.21	Electric universal spares kit

